



FLANGES FOR PE

Steel loose flanges for mechanical coupling in the transition of materials on polyethylene pipelines



FLANGES FOR PE

- Steel loose flanges for mechanical coupling in the transition of materials on polyethylene pipelines



INFORMATION

> Application

Pipes:	PE pipes. Enables transitions with any type of pipe or flanged element from DIN standard flanges.
Range of application:	Standard range from DN 15 to DN 600 (PE 20 to 630 mm). Optional manufacture in other sizes.
Working pressures:	Standard range in PN10 and PN16. Optional manufacture in other pressures.



MATERIAL SPECIFICATIONS

- ① **Body:**
DIN st.37.2 structural steel.
- ② **Coating:**
Dichromate.





ASSEMBLY

Fitted on flange adaptors polyethylene fittings (refer to FC79-PTP-05 and FC79-PTP-06 datasheets), which are joined at the end to the PE pipeline using either butt fusion or electrofusion.



SUPPLY

It is essential to know the diameter of the flange adaptor on which the loose flange will be fitted.

There are different models of loose flanges where, for the same interior diameter (e.g. DN125), there are various flange connection options (DN100 or DN125). See dimensions table.

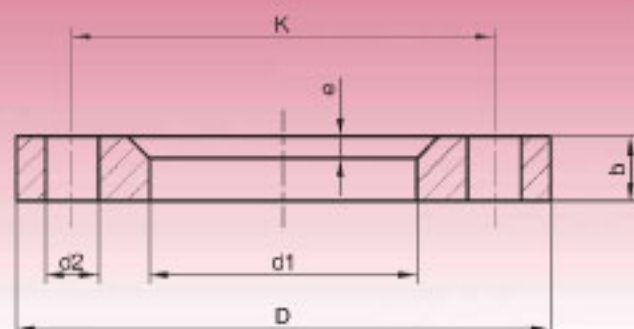
To order and on consultation, loose flanges may be manufactured with different pressures, diameters and application standards.





DIMENSIONS

FLANGES FOR PE



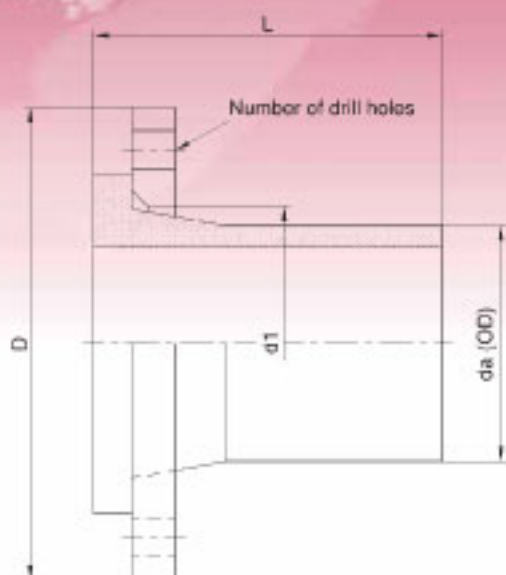
PE	DN	PN	D (mm)*	d1	b (mm)*	d2 (mm)	K (mm)*	N° of drills x metric	Approx. Weight
20	15	10/16	95	28	14	14	65	4 x M12	0,62
32	25	10/16	115	42	16	14	85	4 x M12	1,03
40	32	10/16	140	51	16	18	100	4 x M16	1,50
50	40	10/16	150	62	16	18	110	4 x M16	1,66
63	50	10/16	165	78	18	18	125	4 x M16	2,20
63	65	10/16	185	78	18	18	145	4 x M16	2,98
75	65	10/16	185	92	18	18	145	4 x M16	2,72
90	80	10/16	200	108	20	18	160	8 x M16	3,36
110	100	10/16	220	128	20	18	180	8 x M16	3,66
125	100	10/16	220	135	20	18	180	8 x M16	3,40
125	125	10/16	250	135	22	18	210	8 x M16	5,66
140	125	10/16	250	158	22	18	210	8 x M16	4,75
160	150	10/16	285	178	22	22	240	8 x M20	6,20
180	150	10/16	285	188	22	22	240	8 x M20	5,70
180	175	10/16	315	18	24	22	270	8 x M20	8,90
200-225	200	10	340	238	24	22	295	8 x M20	8,14
200-225	200	16	340	238	24	22	295	12 x M20	7,85
250	250	10	396	288	26	22	350	12 x M20	10,80
250	250	16	406	288	26	26	355	12 x M24	12,15
280	250	10	396	294	26	22	350	12 x M20	-
280	250	16	406	294	26	26	355	12 x M24	11,45
315	300	10	445	338	26	22	400	12 x M20	12,50
315	300	16	460	338	26	26	410	12 x M24	15,46
355	350	10	505	376	28	22	460	16 x M20	18,02
355	350	16	520	376	30	26	470	16 x M24	21,60
400	400	10	564	430	32	26	515	16 x M24	23,35
400	400	16	580	430	32	30	525	16 x M27	26,73
450	500	10	670	517	38	26	620	20 x M24	-
450	500	16	715	517	38	33	650	20 x M30	-
500	500	10	670	533	38	26	620	20 x M24	35,05
500	500	16	715	533	38	33	650	20 x M30	47,70
560	600	10	780	618	40	30	725	20 x M27	-
630	600	10	780	645	40	30	725	20 x M27	42,50
630	600	16	840	645	42	36	770	20 x M33	67,80

* Minimum and maximum tolerances



DIMENSIONS

FLANGE-ADAPTER + FLANGE



FLANGE-HOLDER			FLANGE				
da (OD)	PN	L	PE	DN	D	d1	Nº of drills x metric
20	16	88	20	15	95	28	4 x M12
32	16	89	32	25	115	42	4 x M12
40	16	98	40	32	140	51	4 x M16
50	16	101	50	40	150	62	4 x M16
63	10	118	63	50	165	78	4 x M16
63	16	124					
75	10	127	63	65	185	78	4 x M16
75	16	126					
75	10	127	75	65	185	92	4 x M16
75	16	126					
90	10	141	90	80	200	108	8 x M16
90	16	143					
110	10	141	110	100	220	128	8 x M18
110	16	162					
125	10	176,5	125	100	220	135	8 x M16
125	16	170					
125	10	176,5	125	125	250	135	8 x M16
125	16	170					
140	10	180	140	125	250	158	8 x M18
140	16	188					
160	10	205	160	150	285	178	8 x M20
160	16	181,5					

Continued on next page

FLANGES FOR PE

→ Steel loose flanges for mechanical coupling in the transition of materials on polyethylene pipelines



DIMENSIONS

FLANGE-ADAPTER + FLANGE

FLANGE-HOLDER			FLANGE				
da (OD)	PN	L	PE	DN	D	d1	Nº of drills x metric
180	10	212	180	150	285	188	8 x M20
180	16	213					
180	10	212	180	175	315	18	8 x M20
180	16	213					
200	10	183,5	200-225	200	340	238	8 x M20
200	16	181,5	200-225	200	340	238	12 x M20
225	10	186,5	200-225	200	340	238	12 x M20
225	16	215	200-225	200	340	238	12 x M24
250	10	264	250	250	395	288	12 x M20
250	16	275	250	250	405	288	12 x M24
280	10	370	280	250	395	294	12 x M20
280	16	377	280	250	405	294	12 x M24
315	10	377	315	300	445	338	12 x M20
315	16	382	315	300	460	338	12 x M24
355	10	150	355	350	505	376	12 x M20
355	16	150	355	350	520	376	12 x M24
400	10	155	400	400	564	430	12 x M24
400	16	155	400	400	580	430	12 x M30
450	10	170	450	500	670	517	12 x M24
450	16	170	450	500	715	517	12 x M30
500	10	170	500	500	670	533	12 x M24
500	16	170	500	500	715	533	12 x M30
560	10/16	180	560	600	780	618	12 x M27
630	16	120	630	600	780	645	20 x M27
630	16	120	630	600	840	645	20 x M33

• RELATED DATASHEETS •

PTP Plastic pipe accessories programme:
ACUTRACK (flange adaptor for PE/PVC pipes)

FC-66-PTP-02E

The information provided in this publication is subject to change without notice.



Juan de la Cierva, 1; Políg. Ind. nº1
08960 SANT JUST DESVERN (Barcelona) - SPAIN
Tel. +34 93 470 30 70 - Fax +34 93 473 00 77
<http://www.acuster.com> mail@acuster.com