

# ACUSTOP-R BRANCH CONNECTION

Universal branch connection for rigid pipes with threaded outlets  
from 3/4" to 2" for under pressure mains



FC-63-PTR-03E



ACUSTER

# ACUSTOP-R BRANCH CONNECTION

- Universal branch connection for rigid pipes with threaded outlets from 3/4" to 2" for under pressure mains



## INFORMATION

### > Specifications

Its most outstanding features are as follows:

- > Double seal: one internal seal acting with the pressure of the water; and one external seal to provide additional safety once the work has been completed. The pressure tests exceed 24 bar.
- > Dust protection system to maintain the work area in perfect condition.
- > The work spatula is pivoted to close off the flow more easily and gently.
- > The entire system provides a possibility of working without valves and, if necessary, of repeating the work as often as necessary throughout the service life of the branch connection.

### > Application

<b>Pipes:</b>	Grey cast iron, ductile cast iron, steel, asbestos cement, clay, etc.
<b>Range of application:</b>	For pipes with an outside diameter of from 63 to 380 mm and threaded outlets of 3/4", 1", 1 1/4", 1 1/2" and 2" (for other ranges, please consult).
<b>Working pressures:</b>	The maximum service pressure is PN16 for all sizes, except the <b>AcuStop-R 60</b> , 2" outlet size, which is PN6.



## MATERIAL SPECIFICATIONS

- 1 Saddle:**  
Ductile cast iron.  
Coating: by cathoporesis, with a thickness of 15 µm, plus polyamide epoxy paint, with a minimum thickness of 100 µm, colour blue RAL 5012 (suitable for use with drinking water).
- **Stop bush:**  
Ductile cast iron.
- **O-ring seal:**  
EPDM, colour black (suitable for use with drinking water).
- 2 Gasket:**  
EPDM, colour black (suitable for use with drinking water).
- 3 Brackets:**  
Polypropylene with fibreglass load, colour black.
- 4 Clamp band:**  
Stainless steel (AISI-304).
- 5 Clamp profile:**  
EPDM, class 65, dielectric, colour black.
- 6 Nuts and bolts:**  
Stainless steel (AISI-304).
- 7 Dust protector clamp:**  
Stainless steel (AISI-304)

➤ in the part.





## ASSEMBLY

The **Acustop-R** branch connection enable the work to be carried out on under pressure pipes by means of the pivoted spatula on the saddle (to enable the stop-off) without the need for inserting cut-off elements.

There are two spatula sizes for each of the available saddle models (up to 1 1/2" and 2").

We recommend installation using our AcuDrill drilling machine. For the drilling procedure, please request our User Manual "MU-41-14E".

Once the drilling and stop-off process has been completed, the dust protector clamp must be slid downwards to protect the saddle groove for service operations. The dust protector clamp itself provides a double seal of up to 24 bar in the case of failure of the internal saddle seal system.



## SUPPLY

The AcuStop-R branch connections are supplied in two separate parts for stock purposes:

**Part 1** - Kit comprising the clamp band with the fasteners and bolts and 2 gaskets\*, to match the clamp band tolerances and duly identified.

**Part 2** - Threaded saddle.

(\*) The two gaskets are supplied with each clamp band to use the same clamp band with both possible saddle sizes: the saddle with threads of up to 1 1/2" and the saddle with the 2" thread.



## SPARES

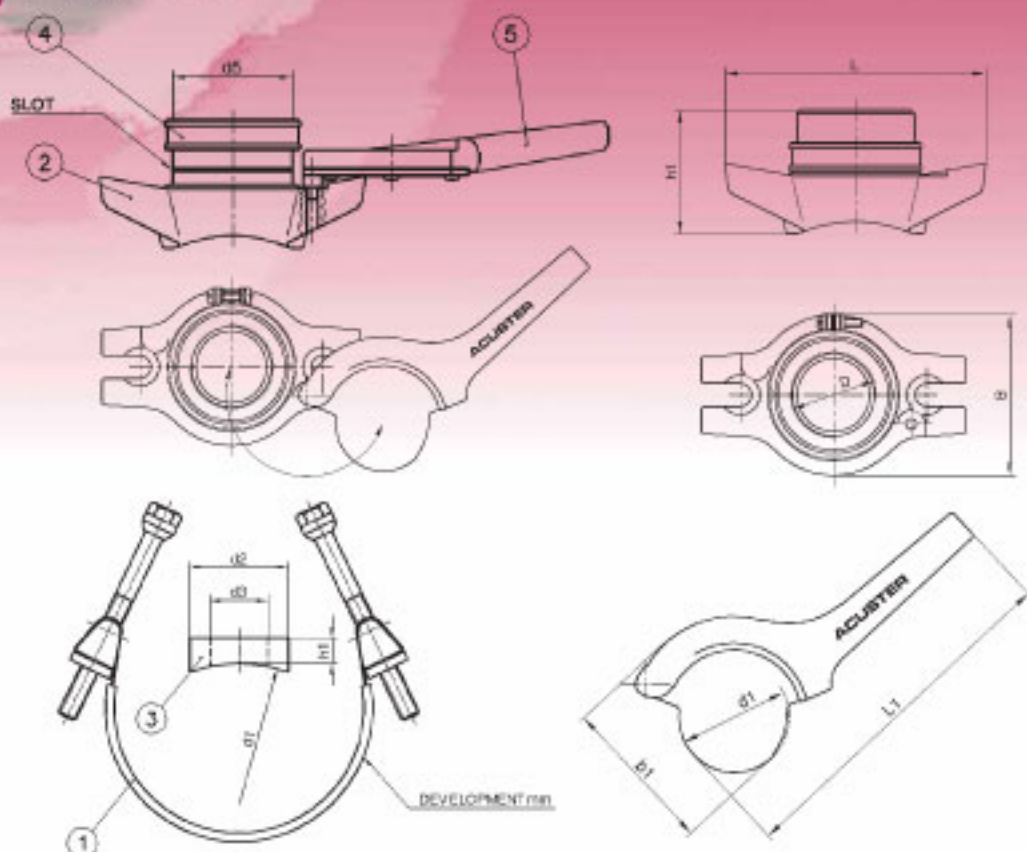
> Stop-off spatula. Two options: Part number 163050 four saddles with 3/4", 1", 1 1/4" and 1 1/2" threaded outlet; part number 163051 for saddles with 2" threaded outlet.

> Kit composed by the stainless steel clamp plus the seal gasket.





## DIMENSIONS



Outlet	Band		Saddle			Gasket					Dust protector	Spatula			
	DM	Range of use	L	B	h2	Type	d1	d2	d3	h1	d5	L1	b1	d4	
3/4"	60	63 - 82	144	89	68,5	21	70	63	28,5	18	65	173	76,5	54	
	80	80 - 115	144	89	68,5	2	120	63	37	18					
	100	112 - 142													
	125	140 - 170													
	150	168 - 198													
	175	190 - 220													
	200	218 - 250	144	89	68,5	3	180	63	37	18		173	76,5	54	
	225	248 - 285													
	250	282 - 315													
	300	315 - 347													
300A	345 - 380														
1"	60	63 - 82	144	89	68,5	21	70	63	28,5	18	65	173	76,5	54	
	80	80 - 115	144	89	68,5	2	120	63	37	18					
	100	112 - 142													
	125	140 - 170													
	150	168 - 198													
	175	190 - 220													
	200	218 - 250	144	89	68,5	3	180	63	37	18		173	76,5	54	
	225	248 - 285													
	250	282 - 315													
	300	315 - 347													
300A	345 - 380														

Continued on next page

# ACUSTOP-R BRANCH CONNECTION

- Universal branch connection for rigid pipes with threaded outlets from 3/4" to 2" for under pressure mains



## DIMENSIONS

Outlet D	Band		Saddle			Gasket					Dust protector	Spatula			
	1	2	3			4					5				
	DN	Range of use	L	B	h2	Type	d1	d2	d3	h1	d5	L1	b1	d4	
1 1/4"	60	63 - 82	144	89	68,5	21	70	63	28,5	16	65	173	76,5	54	
	80	80 - 115	144	89	68,5	2	120	63	37	16		173	76,5	54	
	100	112 - 142													
	125	140 - 170													
	150	168 - 198													
	175	190 - 220													
	200	218 - 250	144	89	68,5	3	180	63	37	16		173	76,5	54	
	225	248 - 285													
	250	282 - 315													
	300	315 - 347													
300A	345 - 380														
1 1/2"	60	63 - 82	144	89	68,5	21	70	63	28,5	16	65	173	76,5	54	
	80	80 - 115	144	89	68,5	2	120	63	37	16		173	76,5	54	
	100	112 - 142													
	125	140 - 170													
	150	168 - 198													
	175	190 - 220													
	200	218 - 250	144	89	68,5	3	180	63	37	16		173	76,5	54	
	225	248 - 285													
	250	282 - 315													
	300	315 - 347													
300A	345 - 380														
2"	60	75 - 95	170	100	70	40R	80	80	51	16	75	247	90	63,5	
	80	94 - 115	170	100	70	10R	120	80	51	16		247	90	63,5	
	100	112 - 142	170	100	70	20	180	80	51	15		247	90	63,5	
	125	140 - 170													
	150	168 - 198													
	175	190 - 220													
	200	218 - 250													
	225	248 - 285	170	100	70	30	300	80	51	15		247	90	63,5	
	250	282 - 315													
	300	315 - 347													
300A	345 - 380														

### • RELATED DATASHEETS •

PTR	Rigid pipe fittings programme:	
	CA-R BRANCH CONNECTION (threaded saddle)	FC-63-PTR-06E
	CA BRANCH CONNECTION (PE pipe outlet saddle)	FC-63-PTR-04E
	CA-C BRANCH CONNECTION (PE pipe tapping saddle)	FC-63-PTR-05E
PMH	Machinery and tools programme:	
	ACUDRILL DRILLING MACHINE	FC-41-PMH-07E

Published: July 2007/Revision: 0

The information provided in this publication is subject to change without notice.



Juan de la Cierva, 1; Polig. Ind. nº 1  
08960 SANT JUST DESVERN (Barcelona) - SPAIN  
Tel. +34 93 470 30 70 - Fax +34 93 473 00 77  
<http://www.acuster.com> - [mail@acuster.com](mailto:mail@acuster.com)